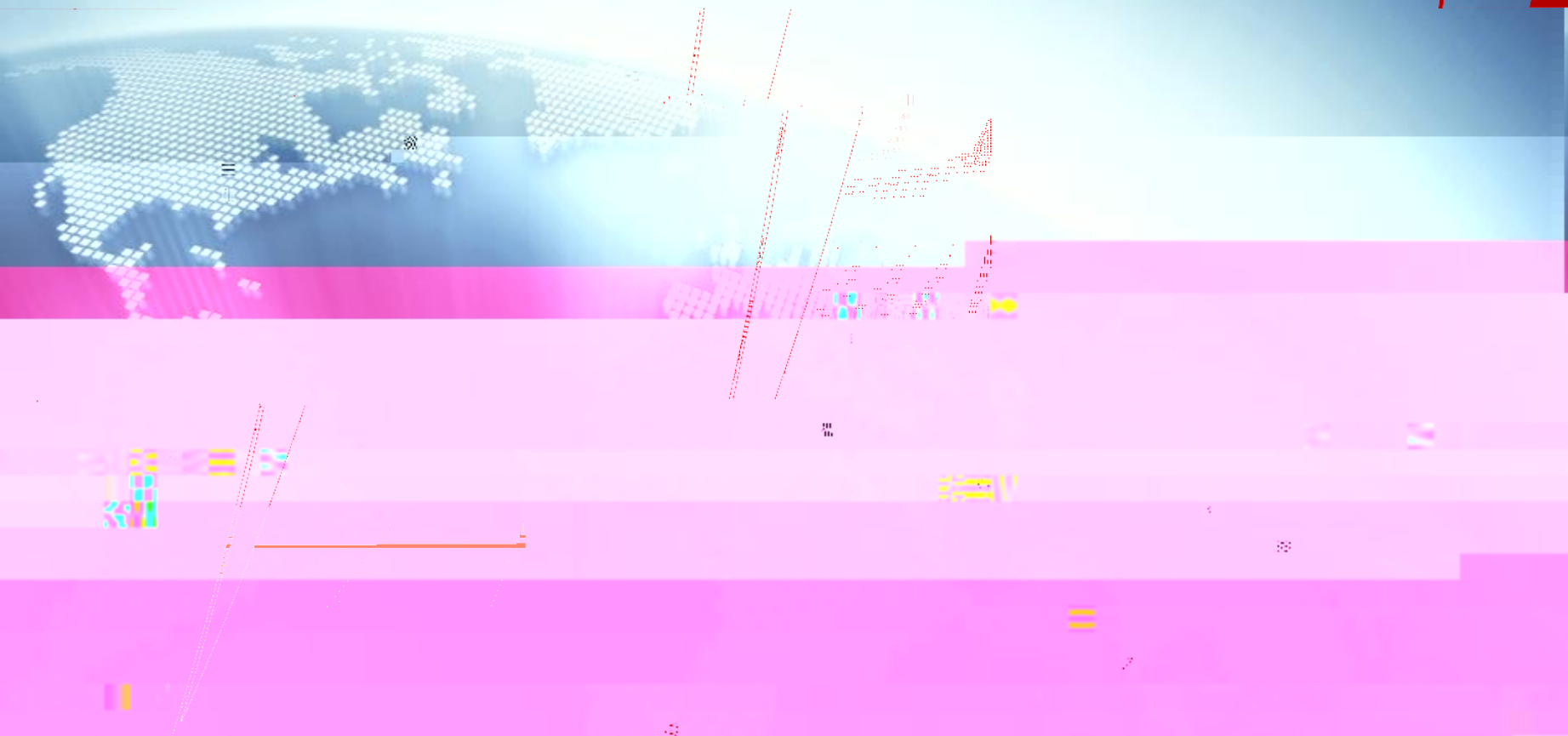


# ISG



# Contents

1	Introduction
2	1.1 The Truijje Networks Group
3	1.2 The Truijje Networks Group's Business Model
4	1.3 The Truijje Networks Group's Business Strategy
5	1.4 The Truijje Networks Group's Business Plan
6	1.5 The Truijje Networks Group's Business Risks
7	1.6 The Truijje Networks Group's Business Opportunities
8	1.7 The Truijje Networks Group's Business Objectives
9	1.8 The Truijje Networks Group's Business Metrics
10	1.9 The Truijje Networks Group's Business KPIs
11	1.10 The Truijje Networks Group's Business Assumptions
12	1.11 The Truijje Networks Group's Business Risks
13	1.12 The Truijje Networks Group's Business Opportunities
14	1.13 The Truijje Networks Group's Business Objectives
15	1.14 The Truijje Networks Group's Business Metrics
16	1.15 The Truijje Networks Group's Business KPIs
17	1.16 The Truijje Networks Group's Business Assumptions
18	1.17 The Truijje Networks Group's Business Risks
19	1.18 The Truijje Networks Group's Business Opportunities
20	1.19 The Truijje Networks Group's Business Objectives
21	1.20 The Truijje Networks Group's Business Metrics
22	1.21 The Truijje Networks Group's Business KPIs
23	1.22 The Truijje Networks Group's Business Assumptions
24	1.23 The Truijje Networks Group's Business Risks
25	1.24 The Truijje Networks Group's Business Opportunities
26	1.25 The Truijje Networks Group's Business Objectives
27	1.26 The Truijje Networks Group's Business Metrics
28	1.27 The Truijje Networks Group's Business KPIs
29	1.28 The Truijje Networks Group's Business Assumptions
30	1.29 The Truijje Networks Group's Business Risks
31	1.30 The Truijje Networks Group's Business Opportunities
32	1.31 The Truijje Networks Group's Business Objectives
33	1.32 The Truijje Networks Group's Business Metrics
34	1.33 The Truijje Networks Group's Business KPIs
35	1.34 The Truijje Networks Group's Business Assumptions
36	1.35 The Truijje Networks Group's Business Risks
37	1.36 The Truijje Networks Group's Business Opportunities
38	1.37 The Truijje Networks Group's Business Objectives
39	1.38 The Truijje Networks Group's Business Metrics
40	1.39 The Truijje Networks Group's Business KPIs
41	1.40 The Truijje Networks Group's Business Assumptions
42	1.41 The Truijje Networks Group's Business Risks
43	1.42 The Truijje Networks Group's Business Opportunities
44	1.43 The Truijje Networks Group's Business Objectives
45	1.44 The Truijje Networks Group's Business Metrics
46	1.45 The Truijje Networks Group's Business KPIs
47	1.46 The Truijje Networks Group's Business Assumptions
48	1.47 The Truijje Networks Group's Business Risks
49	1.48 The Truijje Networks Group's Business Opportunities
50	1.49 The Truijje Networks Group's Business Objectives
51	1.50 The Truijje Networks Group's Business Metrics
52	1.51 The Truijje Networks Group's Business KPIs
53	1.52 The Truijje Networks Group's Business Assumptions
54	1.53 The Truijje Networks Group's Business Risks
55	1.54 The Truijje Networks Group's Business Opportunities
56	1.55 The Truijje Networks Group's Business Objectives
57	1.56 The Truijje Networks Group's Business Metrics
58	1.57 The Truijje Networks Group's Business KPIs
59	1.58 The Truijje Networks Group's Business Assumptions
60	1.59 The Truijje Networks Group's Business Risks
61	1.60 The Truijje Networks Group's Business Opportunities
62	1.61 The Truijje Networks Group's Business Objectives
63	1.62 The Truijje Networks Group's Business Metrics
64	1.63 The Truijje Networks Group's Business KPIs
65	1.64 The Truijje Networks Group's Business Assumptions
66	1.65 The Truijje Networks Group's Business Risks
67	1.66 The Truijje Networks Group's Business Opportunities
68	1.67 The Truijje Networks Group's Business Objectives
69	1.68 The Truijje Networks Group's Business Metrics
70	1.69 The Truijje Networks Group's Business KPIs
71	1.70 The Truijje Networks Group's Business Assumptions
72	1.71 The Truijje Networks Group's Business Risks
73	1.72 The Truijje Networks Group's Business Opportunities
74	1.73 The Truijje Networks Group's Business Objectives
75	1.74 The Truijje Networks Group's Business Metrics
76	1.75 The Truijje Networks Group's Business KPIs
77	1.76 The Truijje Networks Group's Business Assumptions
78	1.77 The Truijje Networks Group's Business Risks
79	1.78 The Truijje Networks Group's Business Opportunities
80	1.79 The Truijje Networks Group's Business Objectives
81	1.80 The Truijje Networks Group's Business Metrics
82	1.81 The Truijje Networks Group's Business KPIs
83	1.82 The Truijje Networks Group's Business Assumptions
84	1.83 The Truijje Networks Group's Business Risks
85	1.84 The Truijje Networks Group's Business Opportunities
86	1.85 The Truijje Networks Group's Business Objectives
87	1.86 The Truijje Networks Group's Business Metrics
88	1.87 The Truijje Networks Group's Business KPIs
89	1.88 The Truijje Networks Group's Business Assumptions
90	1.89 The Truijje Networks Group's Business Risks
91	1.90 The Truijje Networks Group's Business Opportunities
92	1.91 The Truijje Networks Group's Business Objectives
93	1.92 The Truijje Networks Group's Business Metrics
94	1.93 The Truijje Networks Group's Business KPIs
95	1.94 The Truijje Networks Group's Business Assumptions
96	1.95 The Truijje Networks Group's Business Risks
97	1.96 The Truijje Networks Group's Business Opportunities
98	1.97 The Truijje Networks Group's Business Objectives
99	1.98 The Truijje Networks Group's Business Metrics
100	1.99 The Truijje Networks Group's Business KPIs
101	1.100 The Truijje Networks Group's Business Assumptions

I

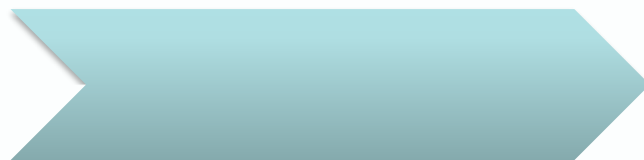
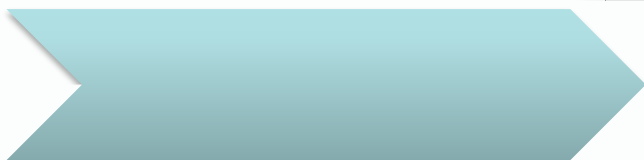


15 ~30

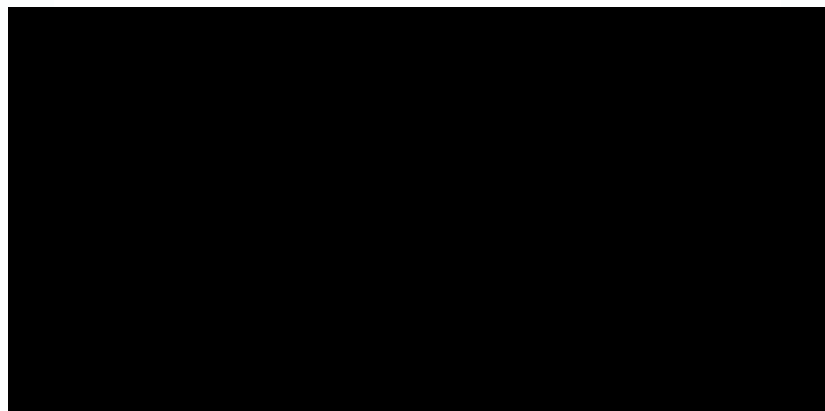
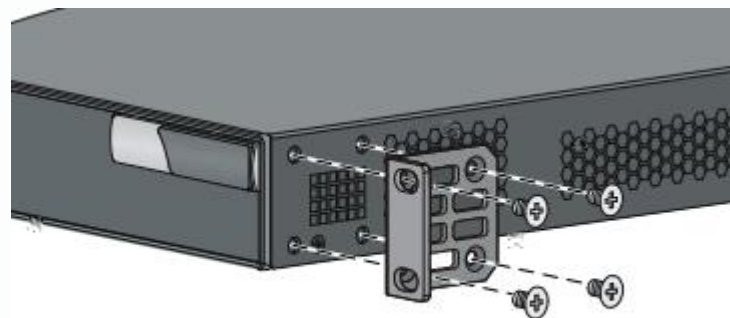
40%~65%

$1.3 \times 10^5$  (

I



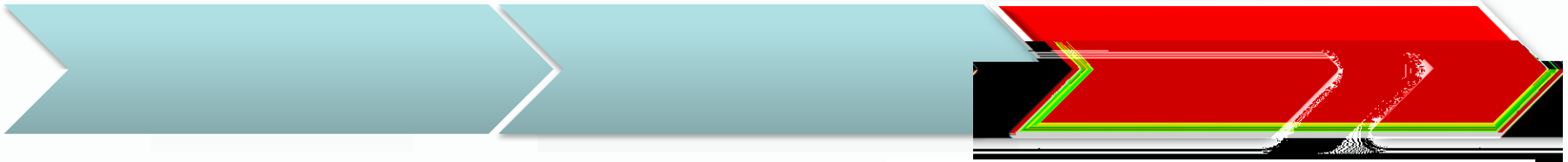
19



I

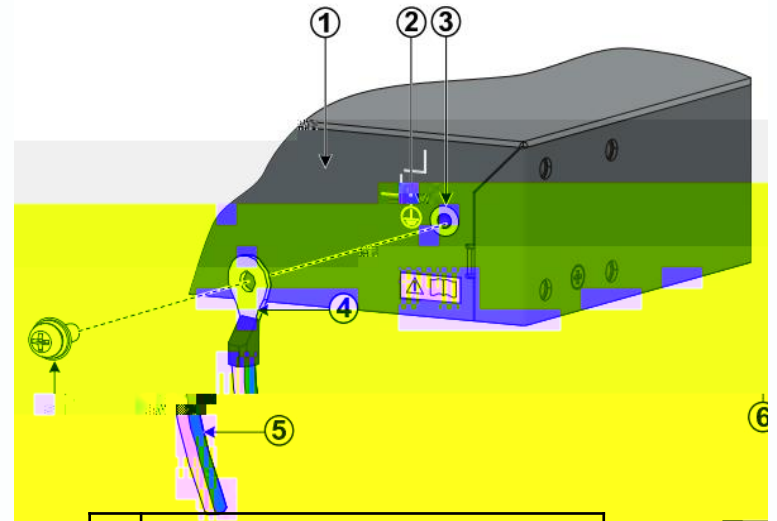


10cm



OT

OT



PE

PE

1	
2	



100-240V~/50-60Hz

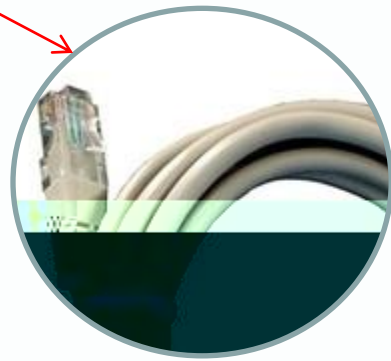
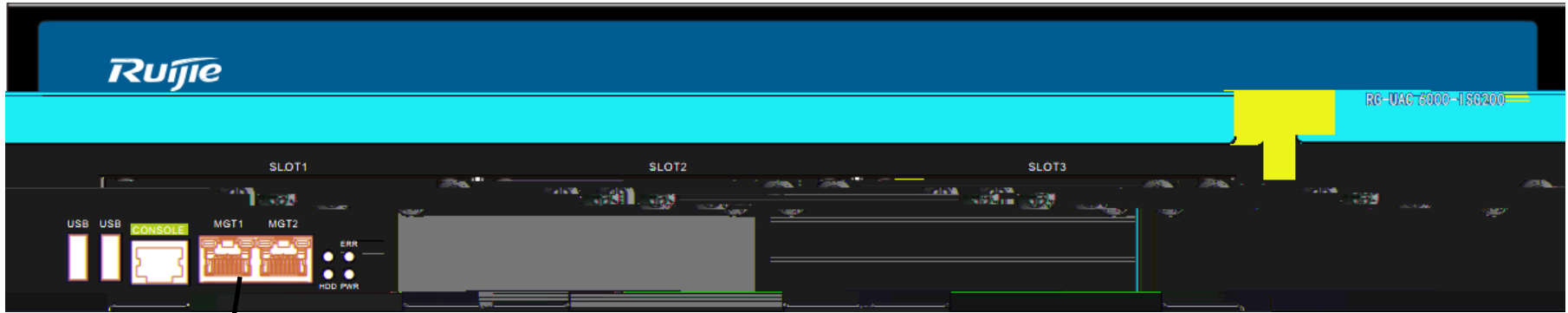


## Web

pc	<b>MGT1</b>	pc	ip	192.168.1.2
192.168.1.200	192.168.1.0/24			
ie	<b>https://192.168.1.200</b>			
<b>admin</b>	<b>firewall</b>			
	LAN1/MGT1	ip	192.168.1.200	
admin/firewall				



# Web





## Web



min  
II

I



ip

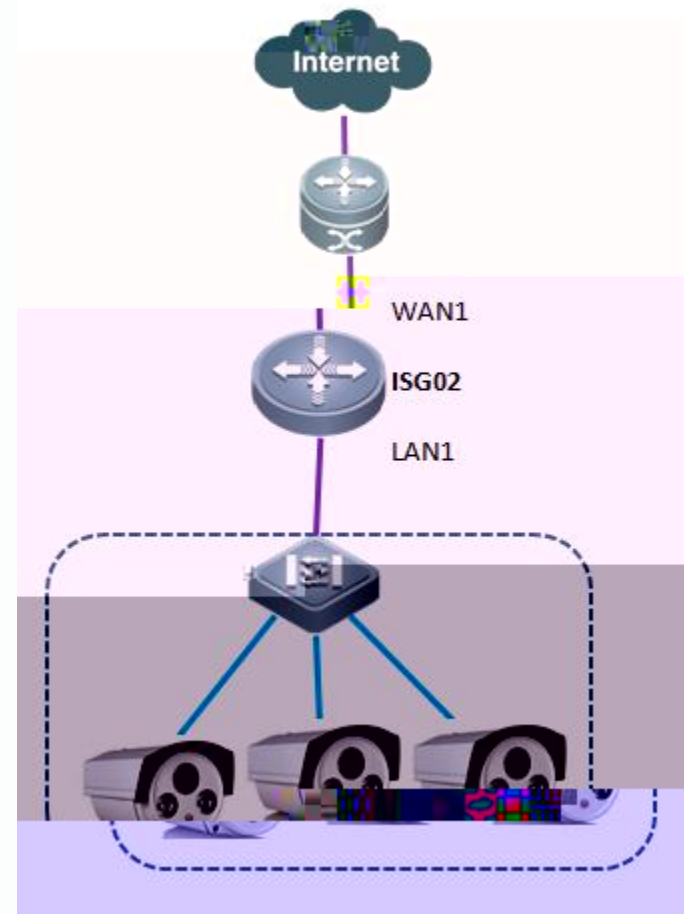
ISG02

LAN1

WAN1

IP

ip :  
172.16.162.0/24





1

IP

IP

IP

<https://192.168.1.200> ,

admin

2

The screenshot shows a web-based configuration interface for adding a binding policy. On the left is a dark blue sidebar with navigation icons and labels: 首页 (Home), 网络配置 (Network Configuration), 协议转换 (Protocol Conversion), 终端状态 (Terminal Status), and 终端管理 (Terminal Management). The main content area is titled "新增绑定策略" (Add Binding Policy) and includes a "确定" (Confirm) button and a "返回" (Return) button. The form contains the following fields:

- 名称** (Name): A text input field.
- IP地址** (IP Address): A dropdown menu currently showing "IP地址" and a text input field below it containing "全部" (All).
- 所属分组** (Group): A dropdown menu showing "Root" with a "选择" (Select) button.
- 终端类型** (Terminal Type): A dropdown menu showing "视频终端" (Video Terminal).
- 策略** (Policy): A list with items "阻断策略" (Block Policy) and "终端白名单" (Terminal Whitelist).
- 状态** (Status): Radio buttons for "启用" (Enabled) and "禁用" (Disabled).
- 快速链接** (Quick Link): A text input field containing "IP地址".
- 准入策略** (Access Policy): A green button labeled "准入策略" (Access Policy).

/IOS / /Linux /windows



# ISG02

LAN1

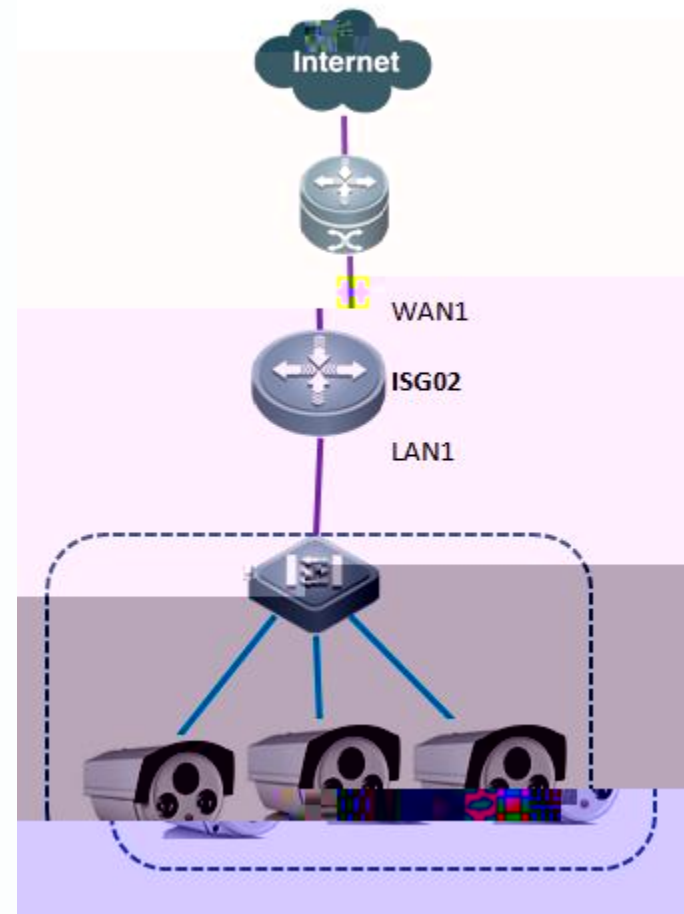
WAN1

IP

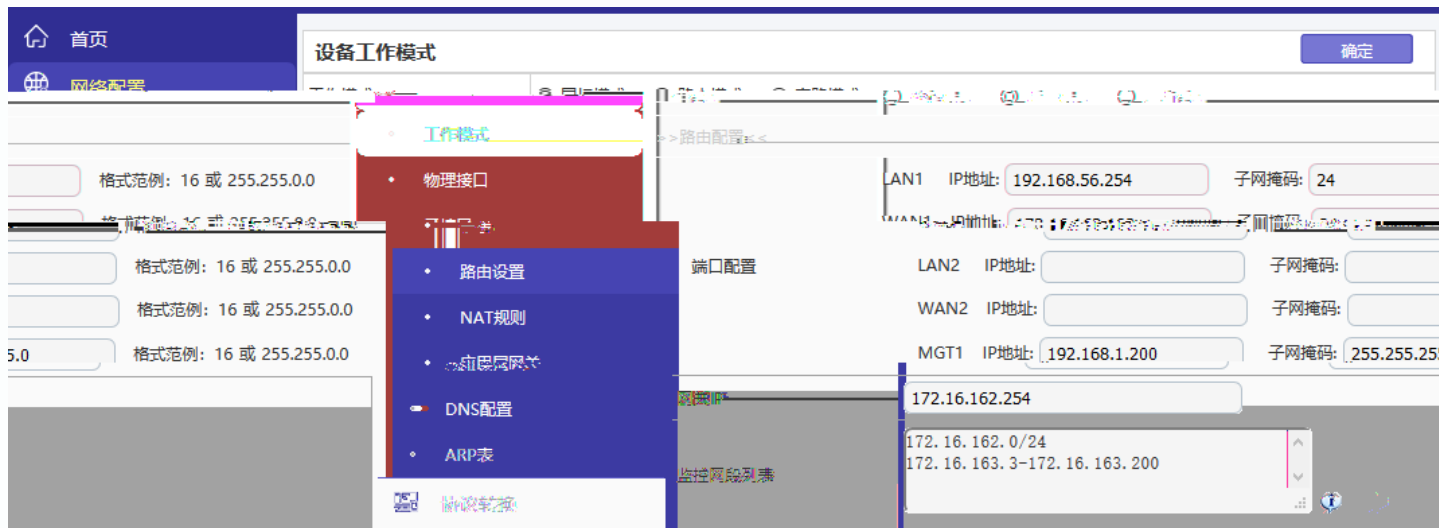
WAN

WAN ip :  
172.16.162.0/24

LAN ip :  
192.168.56.0/24



1



IP

NAT

ISG

WAN

IP

## 2 NAT

->NAT ->

The screenshot displays a web-based configuration interface for a network device. The main window is titled "新增地址转换规则" (Add Address Translation Rule). The "名称" (Name) field is set to "源地址转换" (Source Address Translation). The "描述" (Description) field is empty. Below the form, there are several configuration options:

- 源分组** (Source Group): Set to "内网" (Intranet).
- 目的分组/接口** (Destination Group/Interface): Set to "外网" (Outernet).
- 源IP** (Source IP): Set to "全部" (All).
- 目的IP** (Destination IP): Set to "全部" (All).
- IP地址** (IP Address): Set to "全部" (All).

A green menu is overlaid on the interface, listing various configuration options:

- NAT规则 (NAT Rule)
- 应用层网关 (Application Layer Gateway)
- DNS配置 (DNS Configuration)
- ARP表 (ARP Table)
- 协议转换 (Protocol Conversion)
- 终端状态 (Terminal Status)

At the bottom, there is a "状态" (Status) section with radio buttons for "启用" (Enabled) and "禁用" (Disabled), with "启用" selected.



1



LAN1

WAN1

IP/

IP

WEB

+

WAN1

IPS

- - " "

升级失败自动升级服务器没有新版本!

确定

DNS

[www.ruijie.com.cn](http://www.ruijie.com.cn)

[www.ruijie.com.cn/service.aspx](http://www.ruijie.com.cn/service.aspx)

[bbs.ruijie.com.cn](http://bbs.ruijie.com.cn)

[webchat.ruijie.com.cn](http://webchat.ruijie.com.cn)

4008-111-000